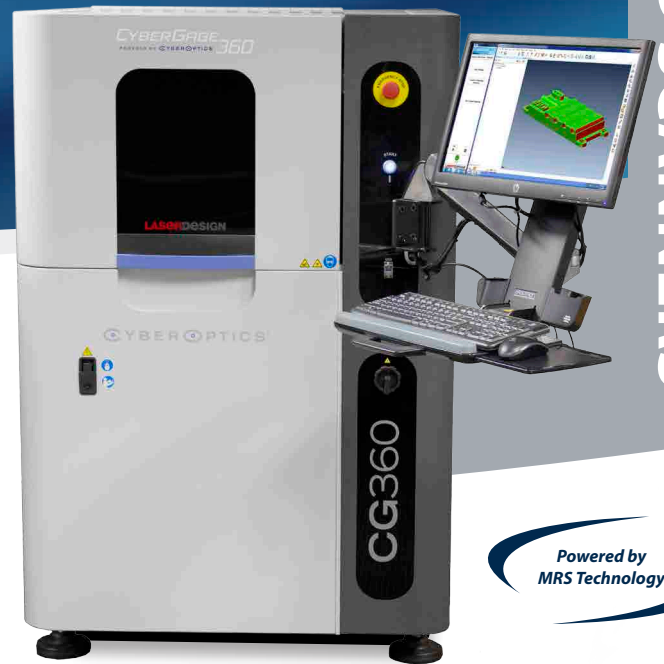


CyberGage360™ 3D Scanning System

3D SCANNERS

- **Unprecedented speed, accuracy and one-button simplicity for non-contact automated 3D scanning inspection.**

Complete 360° 3D scan and inspection report in less than 3 minutes.



High-Precision Accuracy with MRS Technology

- Generates full 360° automated scan with accuracy to 7µm, 0.007mm +L/10000mm
- Incorporates CyberOptics' proprietary 3D Multi-Reflection Suppression (MRS) technology that inhibits measurement distortions for a highly accurate metrology grade scan

Easy-to-Use with One-Button Simplicity

- Simplifies scanning with one-button automation
- Provides factory-friendly operation with minimal training
- Generates reports comparing scan data to CAD models or 'golden' example
- Speeds part program selection with Bar Code Part ID
- Programs off-line with pre-defined inspection templates
- Eliminates costly inspection gages with fixtureless design
- Offers quick and simple field recalibration

Fast Scanning in Less than 3 Minutes

- Quickly generates a highly precise full 360° automated 3D surface scan of complex shaped parts in less than 3 minutes
- Facilitates near-production line high-volume scanning and high speed throughput

CyberGage360 lowers Cost of Quality and shortens time-to-market by dramatically speeding up In-Process Inspection and/or Incoming/Outgoing Parts Inspections.



Save Time. Save Expense. Improve Yields.



3D Scans – Simple as...



Open the door



Place the part



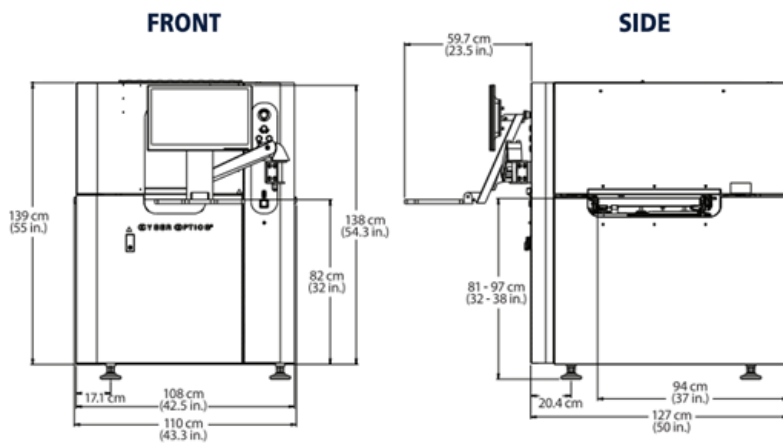
Press the button

Designed for use in general purpose metrology, the CyberGage360 has a range of potential industrial applications from automotive to aerospace, where high accuracy and high speed throughput are important.

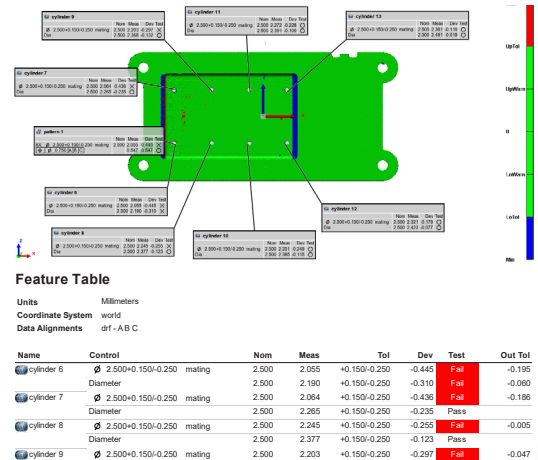
Specifications

Work Volume	200mm diameter x 100mm high cylinder (8" diameter x 4" high)
Sensor Technology	Patented MRS technology with structured blue light
System Volumetric Accuracy	7 μm; 0.007mm +L/10000mm (ISO 10360) See Accuracy Statement for CyberGage360 report available at LaserDesign.com/Products/CyberGage360
Repeatability	5 μm; 0.005mm/0.00020" See Accuracy Statement for CyberGage360 report available at LaserDesign.com/Products/CyberGage360
Speed	Up to 16 million points/part/ pose. Typical cycle time < 3 minutes
CDRH Safety	Eye safe - no protection needed
System Controllers Embedded	High-performance PC included
Environmental Temperature	Temperature ambient = 20°C +/- 3°C (68.5°F +/- 5°F) to maintain calibrated performance
Operating Environment	Humidity 50% +/- 30%
Weight of Part	2.0 kg max (4.4 lbs.)
Data Output Formats	STL, PLY, OBJ, ASC
Electrical Requirements	100-240 VAC, 3.6/1.8 Amps, 60-50Hz, Phase 1
Included with System	PC controller built in, Polyworks Inspector inspection reporting software with: 1 year maintenance/updates/support, operation manual, maintenance manual, and training at factory (Minneapolis or onsite option).
Warranty	1-year warranty (hardware, software, parts, labor, workmanship)

Dimensions



Output Report Examples



CONTÁCTANOS PARA MAS INFORMACIÓN

+52 (614) 481 4339 (614)424 2482 | info@goal-tech.com.mx
www.goal-tech.com.mx