

Siemens PLM Software

Solid Edge SP

Faster design project completion with Solid Edge for SharePoint

Benefits

- A simple and visual approach to managing complex data, resulting in reduced errors and rework
- Reduce time your designers spend on nonproductive design management tasks
- Easy to understand complex data relationships and the impact of proposed changes
- Easily manage data by projects for improved resource utilization
- Out-of-the-box solution with fast deployment and familiar user interface

Summary

The Solid Edge™ SP design management solution is for Solid Edge® software users who are finding that as the volume of their data grows, using Windows folders and network drives is limiting their ability to complete their design projects efficiently. Solid Edge SP addresses this issue by providing easy vaulting and retrieval of Solid Edge files and related design data, along with a visual approach to managing linked documents, product structures and projects. Solid Edge SP also simplifies and automates error-prone processes such as new product introduction, engineering change and release to manufacturing.

Solid Edge SP takes advantage of the Microsoft SharePoint collaboration platform to introduce dynamic new tools for organizing Solid Edge files and related documents. The software gives designers easy access to visualize a wide variety of

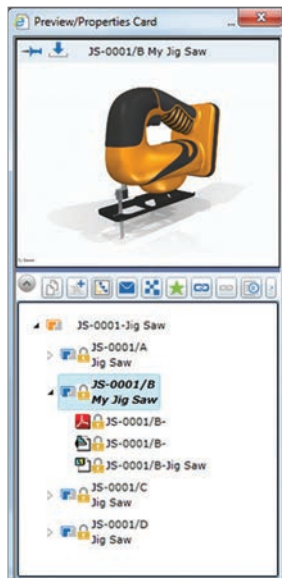


documents and their relationships, and supports fast completion of everyday engineering tasks. Solid Edge SP also supports easy product structure management, bill of materials (BOM) reporting and the ability to manage designs by project. This straightforward approach to managing complex data simplifies your design world, enabling you to meet or exceed your targets for design project completion.

Solid Edge SP

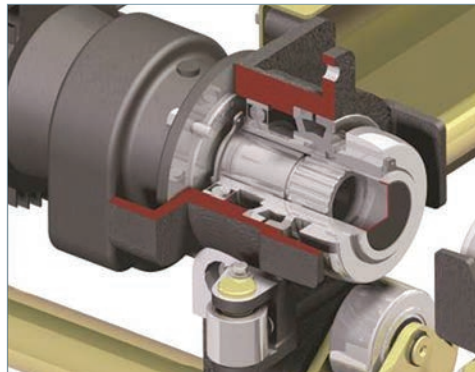
Features

- Part structures group together revisions and related documents that define a design
- Relation Browser for dynamic visualization of data relationships
- Embedded in Solid Edge for transparent completion of design management tasks
- Product structure editor for easy assembly configuration and BOM reporting
- Web browser for easy access
- Built-in ECR and ECO management
- Built on Microsoft SharePoint – easy to deploy and support



Easy management of Solid Edge files and related documents

With Solid Edge SP, design definitions are not restricted to a single file but instead use a powerful and flexible part structure that collects all the revisions and documents that describe the design. Example documents include Solid Edge part and assembly files for complete 3D definition, 2D drawings for traditional design documentation and JT™ files for visualization and collaboration. Microsoft Office documents such as Word and Excel for specifications and analysis are also supported. The Content Browser can be used to display and explore these part structures. This overcomes some of the limitations inherent in Windows folders and SharePoint libraries.



Synchronized with Solid Edge for transparent task completion

Solid Edge SP is embedded into Solid Edge, enabling the transparent completion of many tedious design management tasks. For example, when you are looking for a part to insert into an assembly, you can browse and search the database from the standard Solid Edge dialog. Graphical previews of selected parts are also available, helping ensure you use the correct data. Additional design management information enhances the Solid Edge Assembly Pathfinder, for example, telling you that another user is working on a part that is referenced in the current assembly. Parts,

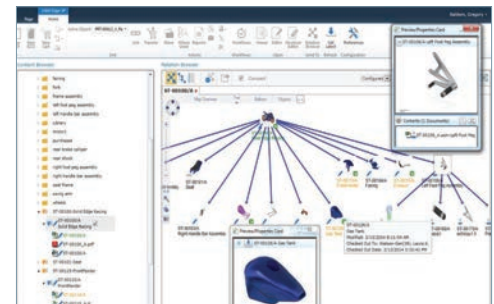
assemblies and drafts can be linked to ECRs, ECOs and Projects as they are created within Solid Edge.

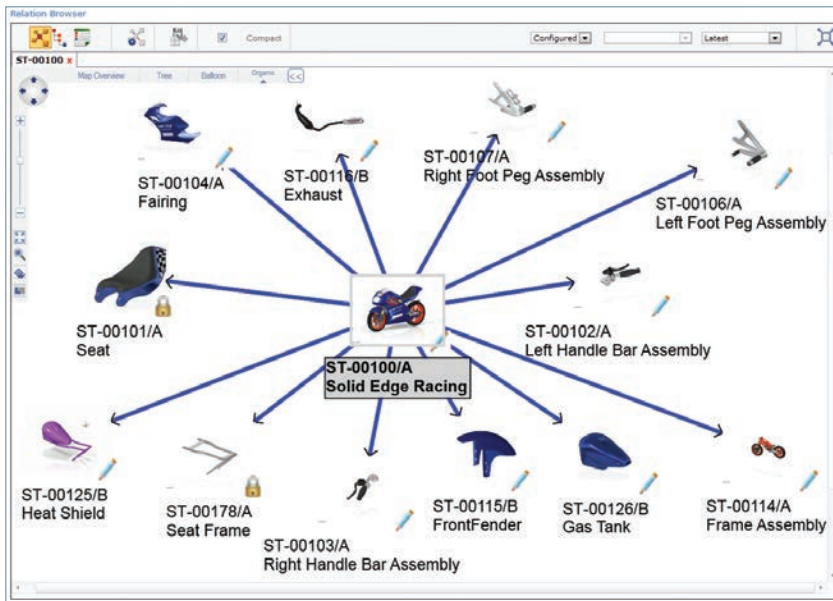
Web browser for easy access

In addition to access through the embedded Solid Edge interface, you can access Solid Edge SP through a standard web browser. This makes deployment easier and enables wide access for users across multiple departments. The user interface follows Microsoft Office standards, providing a fast learning curve. The interface gives you state-of-the-art tools for easy visualization of product structures and many other design relationships.

Dynamic visualization of related data

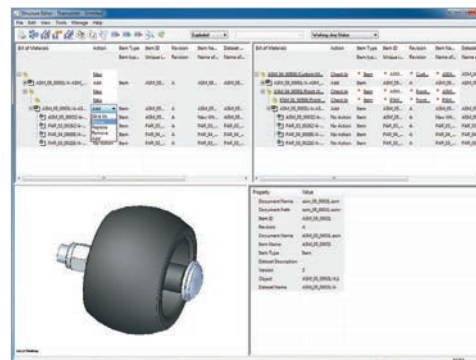
A key capability of Solid Edge SP is dynamic visualization of many different types of data relationships including product structures, projects, engineering change requests (ECRs), engineering change orders (ECOs) and collection carts. You not only have the flexibility to display these relationships in traditional lists or tree structures, but you also have the ability to choose more dynamic balloon and organic display options. Navigation around large and complex data structures is made even easier with an overview window that shows you exactly where you are looking within a large structure. These tools help you rapidly understand complex data structures and enable you to easily see the impact of proposed changes.





Create and modify product structures outside Solid Edge

The Structure Editor enables you to comprehensively and efficiently manage product structures independently from Solid Edge. You can edit existing Solid Edge assembly structures and projects, and insert, replace or delete parts and sub-assemblies. These changes are automatically incorporated the next time you open the assembly using Solid Edge. You can create and store BOM reports in the part structure alongside the assembly model. You can use these reports as the basis for integration to ERP.



Automated change and release processes

Solid Edge SP provides out-of-the-box support for managing ECRs, ECOs and release-to-manufacturing processes and the ability to configure additional electronic workflows. You can link multiple ECRs to an ECO and multiple ECOs to a project. This helps optimize resources as design tasks are grouped together logically and are clearly visible to your designers. You can also use the Relation Browser to easily explore ECRs, ECOs and their associated data, and perform where-used searches on parts to see if they are referenced in an active workflow. Workflow options include the ability to automatically output BOM reports for integration to ERP, and automated file translation for example to create flat pattern output files for sheet metal manufacturing, neutral file formats to support other manufacturing processes and PDF files for extended collaboration.

Manage data by project

Managing data by project is a common requirement for manufacturing organizations. Solid Edge SP supports this need by providing powerful and visual project structures that make design projects more visible and easier to manage. Projects can reference any type of data including assemblies, parts, part revisions, documents, ECRs and ECOs. Solid Edge SP projects overcome many of the inherent limitations of Windows folders and SharePoint libraries. For example, you can automatically link new revisions of data to the same project and allow multiple projects to reference the same data.

Fast implementation on existing IT infrastructure

Solid Edge SP customers benefit from fast implementation of a preconfigured environment and can be in production and benefiting from improved control of their design data and faster completion of everyday engineering tasks within a few days.



Building Solid Edge SP on Microsoft SharePoint enables you to take advantage of the extensive capabilities of this leading collaboration platform that is readily available to, and understood by, most IT departments. You also have the opportunity to integrate your design data and processes with other key business processes that are managed using SharePoint.

Solid Edge SP

Simplify your design world.

Contact

Siemens PLM Software

Americas +1 314 264 8287

Europe +44 (0) 1276 413200

Asia-Pacific +852 2230 3308

www.siemens.com/plm

© 2015 Siemens Product Lifecycle Management Software Inc. Siemens and the Siemens logo are registered trademarks of Siemens AG. D-Cubed, Femap, Fibersim, Geolus, GO PLM, I-deas, JT, NX, Parasolid, Solid Edge, Syncrofit, Teamcenter and Tecnomatix are trademarks or registered trademarks of Siemens Product Lifecycle Management Software Inc. or its subsidiaries in the United States and in other countries. All other logos, trademarks, registered trademarks or service marks belong to their respective holders.

29972-Y11 4/15 C